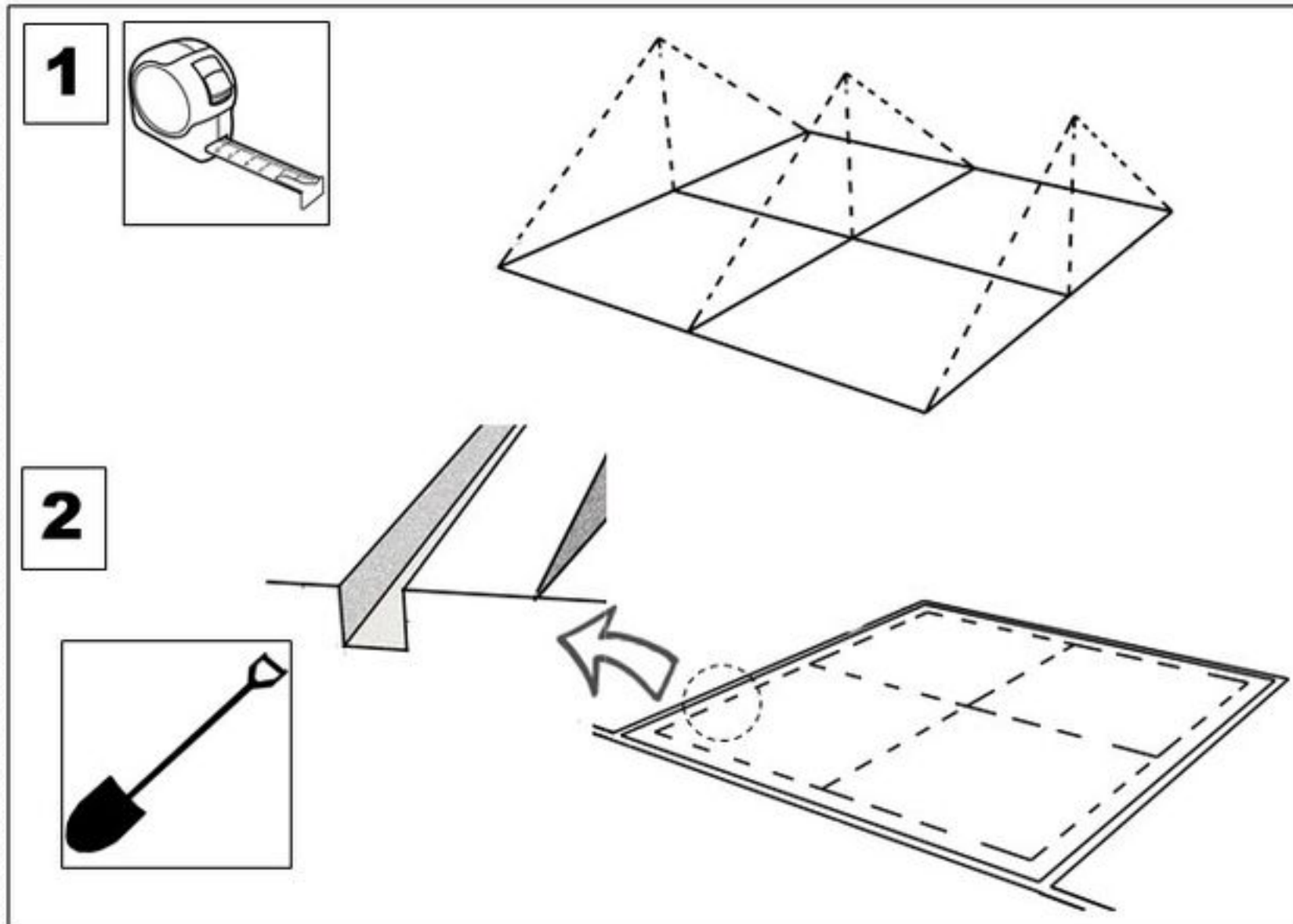
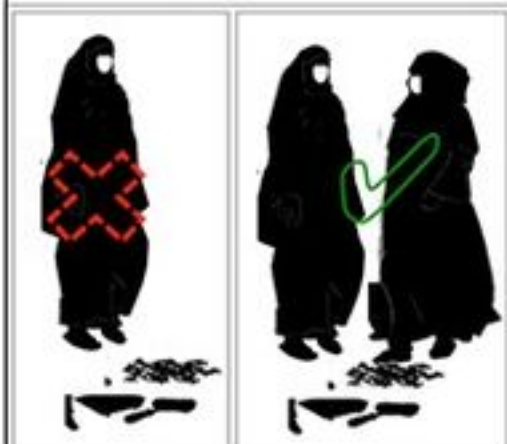


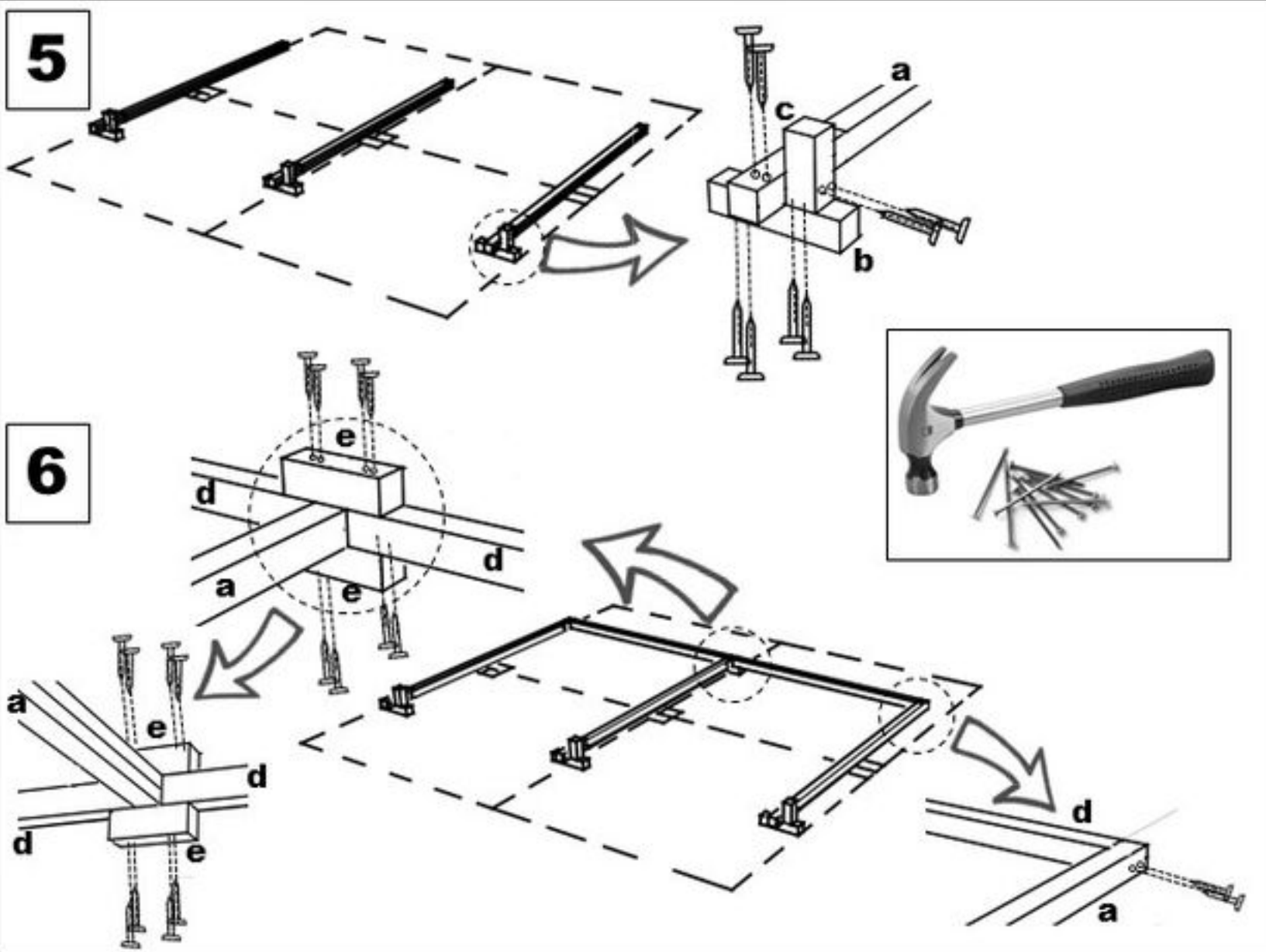


**TENT  
Emergency  
shelter kit  
step by step  
construction  
guide for  
households**





**TENT**  
Emergency shelter kit  
step by step  
construction  
guide for  
households



Name	Nos.	Size (m)
a	3	2.3 x 0.065 x 0.065
b	3	0.3 x 0.065 x 0.065
c	3	0.2 x 0.065 x 0.065
d	2	1.785 x 0.065 x 0.065
e	2	0.2 x 0.065 x 0.065
f	1	0.55 x 0.065 x 0.065
g	3	0.6 x 0.065 x 0.065
h	5	0.065 x 0.05 x 0.025

